

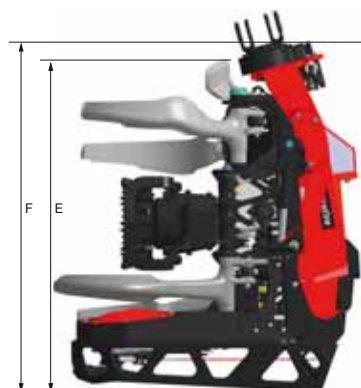
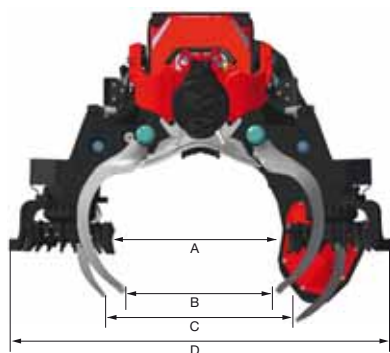
C164

The perfect match for large harvesters



The **Komatsu C164** is a long-awaited harvester head, tailor-made for handling large trees, big root flare and rough limbs in CTL. With its unmatched power paired with the effective and fuel saving 4WD feed system, the C164 is the perfect match for our largest harvester Komatsu 951.

C164



- A. Roller opening, max.
850 mm
- B. Opening front knives, max.
750 mm
- C. Opening rear knife, max.
950 mm
- D. Width, max.
1 905 mm
- E. Height to upper knife
1 690 mm
- F. Height with rotator
1 848 mm

NB: Refers only to one of several possible configurations and the head's weight is dependent on equipment options.

Komatsu C164, highlights

- A “carry” style head, where the stem is carried by the feed rollers and the delimiting knives are mainly used for delimiting the stem.
- A new, movable top knife that better follows the shape of the stem and adapts when the size of the stem varies.
- Constant Cut ensures a high and even cutting speed throughout the cycle.
- Our well-proven feed system is designed with four driven feed rollers.
- The option Find End simplifies length measuring without butt cut to reduce forest residues and to minimize value loss.
- Well-protected hosing and head computer.
- Service-friendly design where all daily service can be carried out without repositioning the head. Centralised lubrication points.
- Options and customisation possibilities encompass everything from measurement, feed rollers and saw units to colour marking and stump treatment.
- Eco-GLS is a lubrication system that uses grease instead of oil, which minimises both consumption and waste.

Weight (dry weight):	from 1 650 kg
Feed rate:	0-5 m/s
Feed force, gross:	35,4 kN
Feed roller type:	Finger feed roller

Delimiting knives, max. number:	5
Delimiting diameter, tip-to-tip:	620 mm
Saw bar:	90 cm
Saw motor:	19 cm ³ /varv
Felling diameter, theoretical max.:	790 mm

Hydraulic flow, max.:	380 l/min
Hydraulic pressure, max.:	28 MPa

Optional equipment

Standard and extra equipment are market-dependent and vary between countries. Your sales representative has an up-to-date list of what is included.

Technical data/dimensions vary depending on optional equipment selected. Specifications and designs are subject to alteration without prior notice. Photos, diagrams and figures do not always show the standard configuration.

Zone of application

